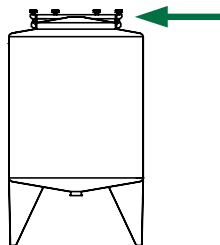


**CHIUSINO CIRCOLARE**

- ROUND manhole cover
- Trappe RONDE
- Tapa CIRCULAR
- RUNDE Klapptür
- КРУГЛАЯ крышка люка
- 圆形人孔盖

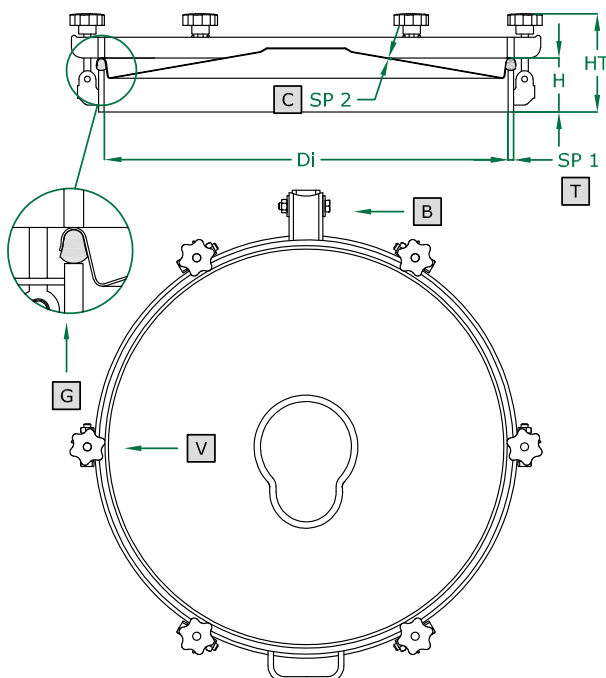


**520 SERIE**

200/300/380/400/420/500/600 DN

Rev 0

COPERCHIO COVER	<b>C</b>
TELAIO FRAME	<b>T</b>
BRACCIO ARM	<b>B</b>
VOLANTINO HANDWHEEL	<b>V</b>
GUARNIZIONE GASKET	<b>G</b>



	STANDARD		OPTIONAL			
H X SP1	60 X 8		100 X 8			
TELAIO	SAT		MPL			
GUARNIZIONE	EPDM	NEOPRENE	NBR	SILICONE	VITON	
VOLANTINO	125 001 V NYLON	125 021 V NYLON	125 022 CHROME P.	125 023 S. STEEL	125 024 ALUMINIUM	125 031 S: STEEL
FORO	NO	33	42	48	50	...
VALVOLA	NO VEDI CATALOGO VALVOLE / SEE VALVE CATALOGUE					

ART	DN	DI	SP2	V (NR)	HT (STANDARD)	BAR MAX: (STANDARD)	COVER type:	GASKET code:	KG (STANDARD)
519	200	195	1,0	4	125	3,0/-0,5	CL	120 619	7,0
520	300	295	1,0	4	125	3,0/-0,5	CL	120 610	9,0
521	380	375	1,0	4	125	2,0/-0,6	CN	120 611	10,5
522	400	395	1,2	6	125	2,0/-0,6	CN	120 617	11,8
523	420	415	1,2	6	125	2,0/-0,6	CN	120 612	13,0
524	500	500	1,2	6	125	1,3/-0,5	CL	120 616	14,5
525	600	600	1,5	6	125	1,0/-0,5	CL	120 607	18,5