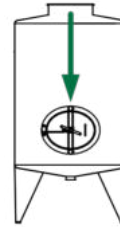


**PORTELLA OVALE apertura interna**

- OVAL Manwaydoor inwards opening
- Porte OVALE avec ouverture à l'intérieur
- Puerta OVAL de apertura interna
- OVALE Mannlochtür schwenkbar nach innen
- ОБАЛЬНАЯ КРЫШКА с внутренним открытием
- 内开椭圆形人孔门



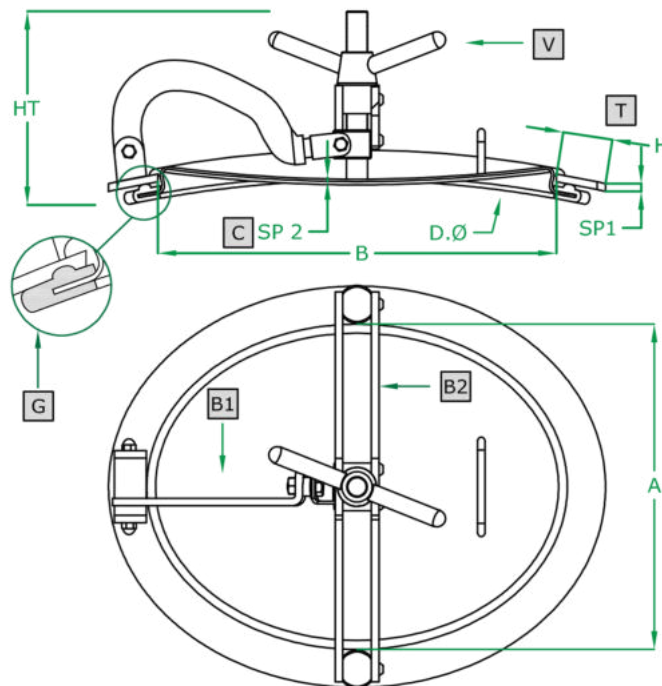
308 ART

345 X 445 mm

Rev 1

*D. = Rag. minima Ø 900*

COPERCHIO COVER	<b>C</b>
TELAIO FRAME	<b>T</b>
BRACCIO1 ARM 1	<b>B1</b>
BRACCIO2 ARM 2	<b>B2</b>
VOLANTINO HANDWHEEL	<b>V</b>
GUARNIZIONE GASKET	<b>G</b>



	STANDARD	OPTIONAL			
H X SP1	40 X 8	Ø ≥ D.900			
TELAIO	SAT	MPL			
GUARNIZIONE	EPDM	NEOPRENE	NBR	SILICONE	VITON
VOLANTINO	125 037 S. STEEL M22				

ART	A	B	SP2	HT (STANDARD)	BAR MAX: (STANDARD)	COVER TYPE:	GASKET CODE:	KG (STANDARD)
308	345	445	3,0	175	3,0	CL	120 750	12,0
308R	345	445	4,0	175	3,5	CL	120 750	13,0