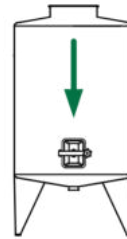
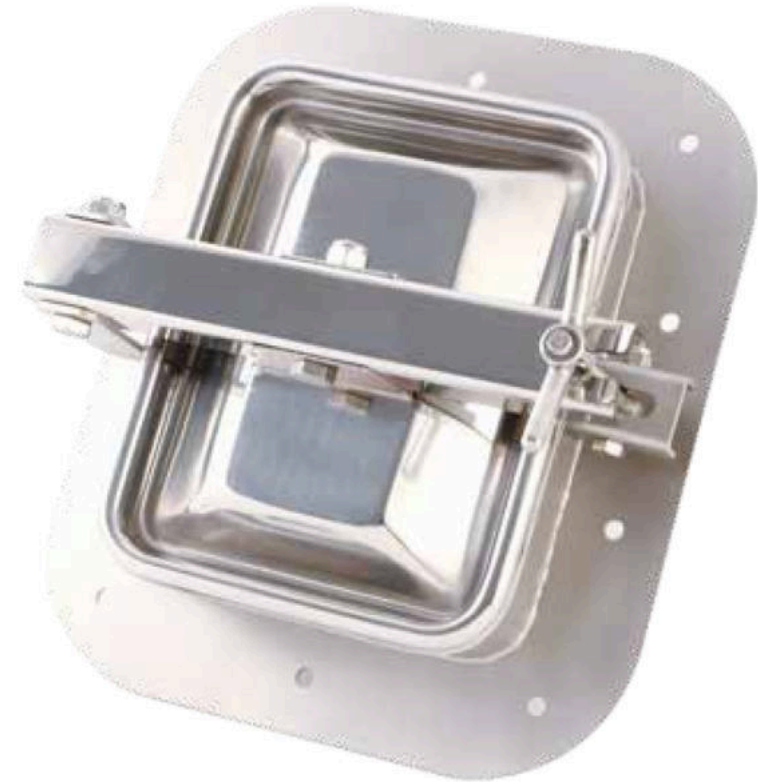
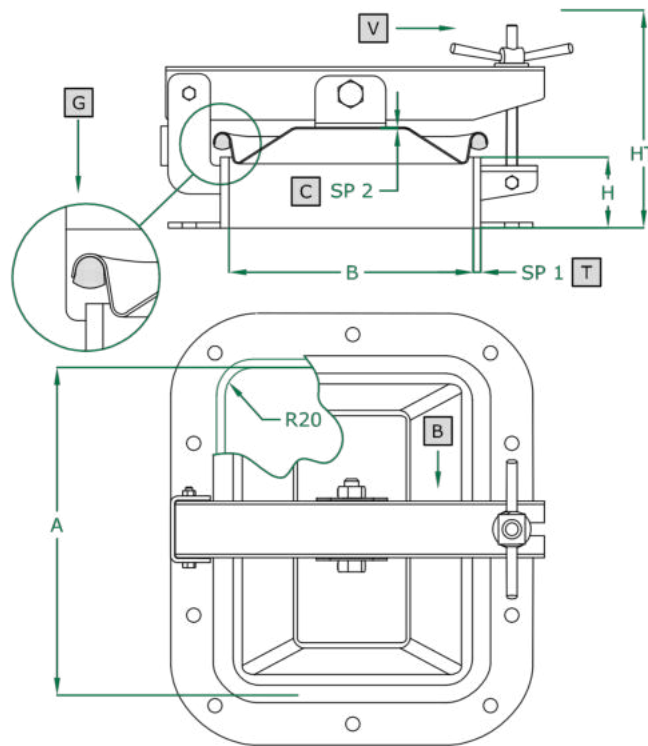


**PORTELLA RETTANGOLARE apertura esterna**

- RECTANGULAR manwaydoor outwards opening
- Porte RECTANGULAIRE avec ouverture à l'extérieur
- Puerta RECTANGULAR de apertura externa
- RECHTECKIGE Türchen, Aussenöffnung
- ПРЯМОУГОЛЬНАЯ КРЫШКА с внешним открытием
- 外开长方形人孔门



|                        |          |
|------------------------|----------|
| COPERCHIO<br>COVER     | <b>C</b> |
| TELAIO<br>FRAME        | <b>T</b> |
| BRACCIO<br>ARM         | <b>B</b> |
| VOLANTINO<br>HANDWHEEL | <b>V</b> |
| GUARNIZIONE<br>GASKET  | <b>G</b> |



|             | STANDARD           | OPTIONAL           |                      |                     |                      |                     |
|-------------|--------------------|--------------------|----------------------|---------------------|----------------------|---------------------|
| H X SP1     | 100 X 6            | ...                |                      |                     |                      |                     |
| TELAIO      | SAT                | MPL                |                      |                     |                      |                     |
| GUARNIZIONE | EPDM               | NEOPRENE           | NBR                  | SILICONE            |                      | VITON               |
| VOLANTINO   | 125 001 V<br>NYLON | 125 021 V<br>NYLON | 125 022<br>CHROME P. | 125 023<br>S. STEEL | 125 024<br>ALUMINIUM | 125 031<br>S. STEEL |

| ART   | A   | B   | SP2 | HT<br>(STANDARD) | BAR MAX:<br>(STANDARD) | COVER<br>type: | GASKET<br>code: | KG<br>(STANDARD) |
|-------|-----|-----|-----|------------------|------------------------|----------------|-----------------|------------------|
| 381.W | 223 | 174 | 1,0 | 130              | 0,7                    | CN             | 120 613         | 4,0              |