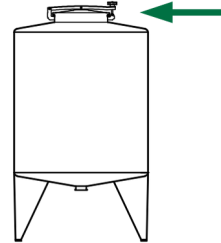


CHIUSINO CIRCOLARE apertura a ribaltamento

- ROUND manhole cover with back-side opening
- Trappe RONDE avec ouverture par renversement
- Tapa CIRCULAR con apertura vertical
- RUNDE Klapptür flapdoor
- КРУГЛАЯ крышка люка с откидным открытием
- 圆形人孔盖

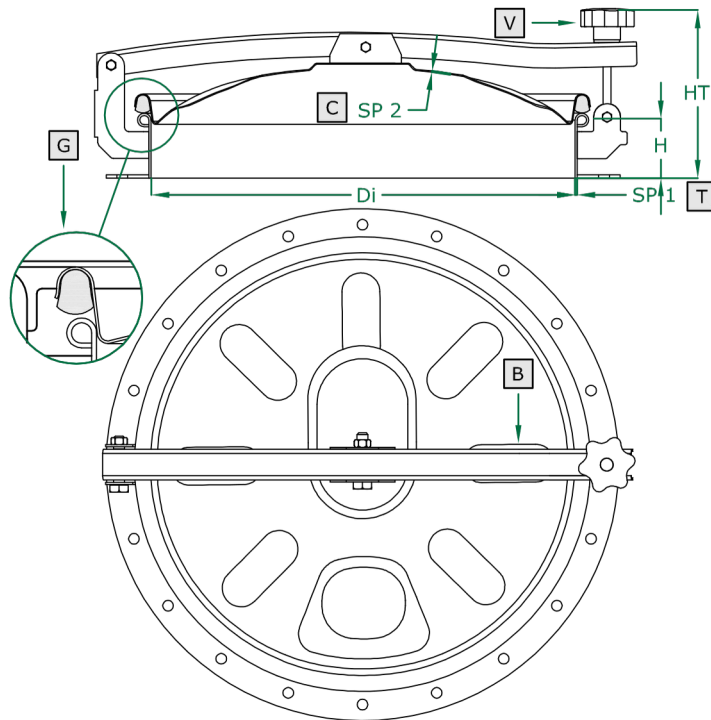


560.W SERIE

200/300/380/400/420/500/600 DN

Rev 0

- COVER
COPERCHIO
COVER
C
- FRAME
TELAIO
FRAME
T
- ARM
BRACCIO
ARM
B
- HANDWHEEL
VOLANTINO
HANDWHEEL
V
- GASKET
GUARNIZIONE
GASKET
G



| | STANDARD | | OPTIONAL | | | |
|-------------|--------------------|--------------------|----------------------|---------------------|----------------------|---------------------|
| H X SP1 | 100 X 2 | 150 X 2 | 200 X 2 | 250 X 2 | ... | |
| TELAIO | SAT | MPL | BA | FIO | | |
| GUARNIZIONE | EPDM | NEOPRENE | NBR | SILICONE | | VITON |
| VOLANTINO | 125 001 V NYLON | 125 021 V NYLON | 125 022 CHROME P. | 125 023 S. STEEL | 125 024 ALUMINIUM | 125 031 S. STEEL |
| FORO | NO | 33 | 42 | 48 | 50 | ... |

| ART | DN | DI | SP2 | HT (STANDARD) | BAR MAX: (STANDARD) | COVER type: | GASKET code: | KG (STANDARD) |
|-------|-----|-----|-----|------------------|------------------------|----------------|-----------------|------------------|
| 559.W | 200 | 195 | 1,0 | 120 | 0,04 | CL | 120 619 | 3,3 |
| 560.W | 300 | 295 | 1,2 | 140 | 0,03 | CL | 120 610 | 4,8 |
| 561.W | 380 | 375 | 1,5 | 145 | 0,02 | CN | 120 611 | 6,0 |
| 562.W | 400 | 395 | 1,5 | 150 | 0,02 | CN | 120 617 | 6,3 |
| 563.W | 420 | 415 | 1,5 | 150 | 0,02 | CN | 120 612 | 6,6 |
| 564.W | 500 | 500 | 2,0 | 155 | 0,02 | CL | 120 616 | 7,8 |
| 565.W | 600 | 600 | 2,0 | 160 | 0,01 | CL | 120 607 | 9,3 |