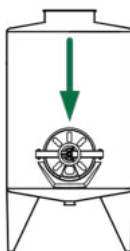


**PORTELLA CIRCOLARE apertura esterna**

- ROUND manwaydoor outwards opening
- Porte RONDE avec ouverture à l'extérieur
- Puerta CIRCULAR de apertura externa
- RUNDE Türchen, Aussenöffnung
- КРУГЛАЯ крышка с внешним открытием
- 外开圆形人孔门

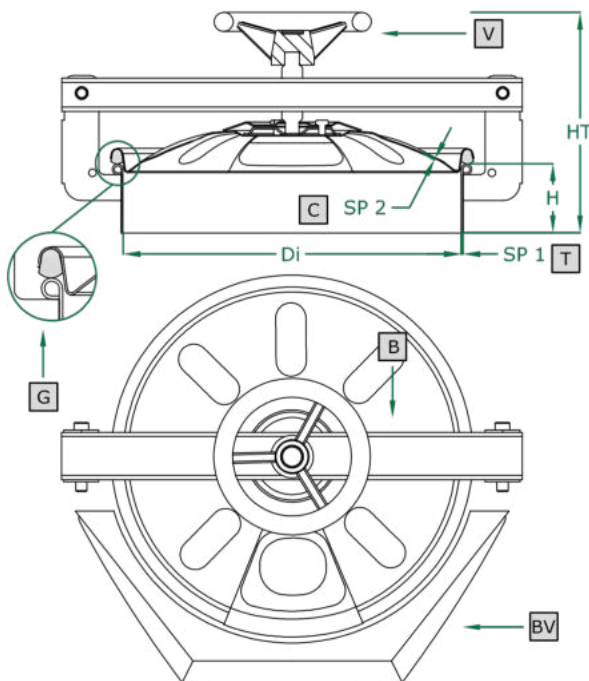


# 800 SERIE

380 / 400 / 420 DN

Rev 0

|                        |    |
|------------------------|----|
| COPERCHIO<br>COVER     | C  |
| TELAIO<br>FRAME        | T  |
| BRACCIO<br>ARM         | B  |
| VOLANTINO<br>HANDWHEEL | V  |
| GUARNIZIONE<br>GASKET  | G  |
| BAVERINO<br>DRIP       | BV |



|             | STANDARD           |          | OPTIONAL            |          |       |
|-------------|--------------------|----------|---------------------|----------|-------|
| H X SP1     | 60 X 2             | 100 X 2  | 60 X 8              | 100 X 8  | ...   |
| TELAIO      | SAT                | MPL      | BA                  | FIO      |       |
| GUARNIZIONE | EPDM               | NEOPRENE | NBR                 | SILICONE | VITON |
| VOLANTINO   | 125 012 V<br>NYLON |          | 125 052<br>S. STEEL |          |       |
| FORO        | NO                 | 33       | 42                  | 48       | ...   |
| BAVERINO    | NO                 | DN 380   | DN 400              | DN 420   |       |

| ART | DN  | DI  | SP2 | HT<br>(STANDARD) | BAR MAX:<br>(STANDARD) | COVER<br>type: | GASKET<br>code: | KG<br>(STANDARD) | DRIP<br>(BAVERINO) |
|-----|-----|-----|-----|------------------|------------------------|----------------|-----------------|------------------|--------------------|
| 801 | 380 | 375 | 1,2 | 230              | 0,7                    | CN             | 120 611         | 7,6              | 103 016            |
| 802 | 400 | 395 | 1,5 | 235              | 0,7                    | CN             | 120 617         | 8,0              | 103 017            |
| 803 | 420 | 415 | 1,5 | 245              | 0,7                    | CN             | 120 612         | 8,2              | 103 018            |