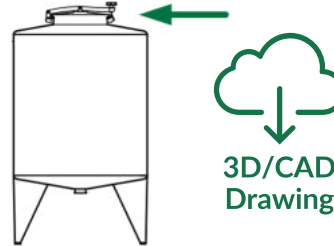


**CHIUSINO CIRCOLARE apertura a ribaltamento e bandiera**

- ROUND manhole cover with back-side and side-swing opening
- Trappe RONDE avec ouverture par renversement et par glissement latéral
- Tapa CIRCULAR con apertura tanto vertical como lateral
- RUNDE Klapptür mit seitlich drehbare Öffnungs- und Kippöffnungssysteme
- КРУГЛАЯ крышка люка с откидным и боковым шарнирным открытием
- 圆形人孔盖

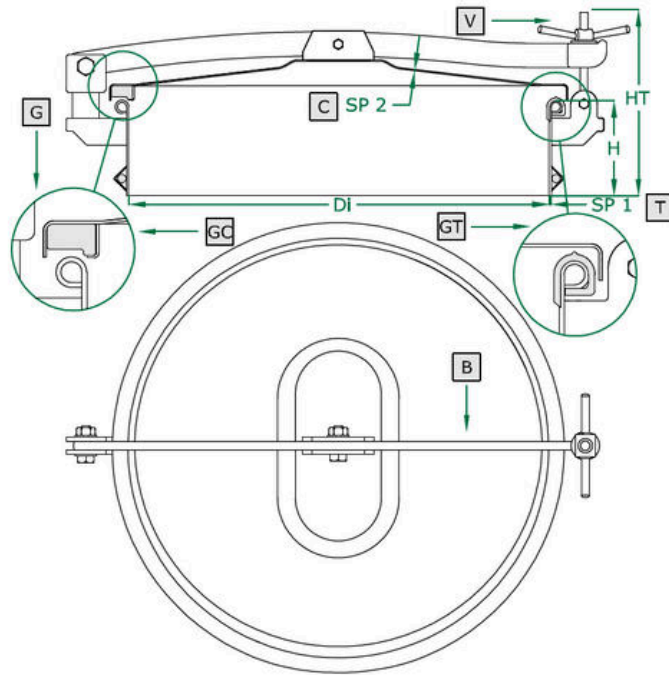


# 930B.C SERIE

150/220/300/400/500/600 DN

Rev 0

|                          |           |
|--------------------------|-----------|
| COPERCHIO<br>COVER       | <b>C</b>  |
| TELAIO<br>FRAME          | <b>T</b>  |
| BRACCIO<br>ARM           | <b>B</b>  |
| VOLANTINO<br>HANDWHEEL   | <b>V</b>  |
| G. COPERCHIO<br>G. COVER | <b>GC</b> |
| G. TELAIO<br>G. FRAME    | <b>GT</b> |


**GUARNIZIONE SUL COPERCHIO / GASKET ON COVER**

|             | STANDARD           | OPTIONAL           |                      |                     |                      |                     |
|-------------|--------------------|--------------------|----------------------|---------------------|----------------------|---------------------|
| H X SP1     | 100 X 2            | 150 X 2            | 200 X 2              | 250 X 2             | ...                  |                     |
| TELAIO      | MPL                | SAT                |                      | BA                  | FIO                  |                     |
| GUARNIZIONE | EPDM               | NEOPRENE           | NBR                  | SILICONE            |                      | VITON               |
| VOLANTINO   | 125 001 V<br>NYLON | 125 021 V<br>NYLON | 125 022<br>CHROME P. | 125 023<br>S. STEEL | 125 024<br>ALUMINIUM | 125 031<br>S. STEEL |
| FORO        | NO                 | 33                 | 42                   | 48                  | 50                   | ...                 |

| ART    | DN  | DI  | SP2 | HT<br>(STANDARD) | BAR MAX:<br>(STANDARD) | COVER<br>type: | GASKET<br>code: | KG<br>(STANDARD) |
|--------|-----|-----|-----|------------------|------------------------|----------------|-----------------|------------------|
| 928B.C | 150 | 150 | 1,0 | 140              | 0,04                   | CA             | 120 801         | 2,9              |
| 929B.C | 220 | 220 | 1,0 | 145              | 0,04                   | CA             | 120 802         | 3,5              |
| 930B.C | 300 | 295 | 1,5 | 150              | 0,03                   | CA             | 120 803         | 4,8              |
| 932B.C | 400 | 395 | 1,5 | 155              | 0,02                   | CA             | 120 804         | 6,3              |
| 934B.C | 500 | 500 | 2,0 | 160              | 0,02                   | CA             | 120 805         | 7,9              |
| 935B.C | 600 | 600 | 2,0 | 165              | 0,01                   | CA             | 120 806         | 9,6              |