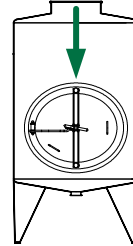


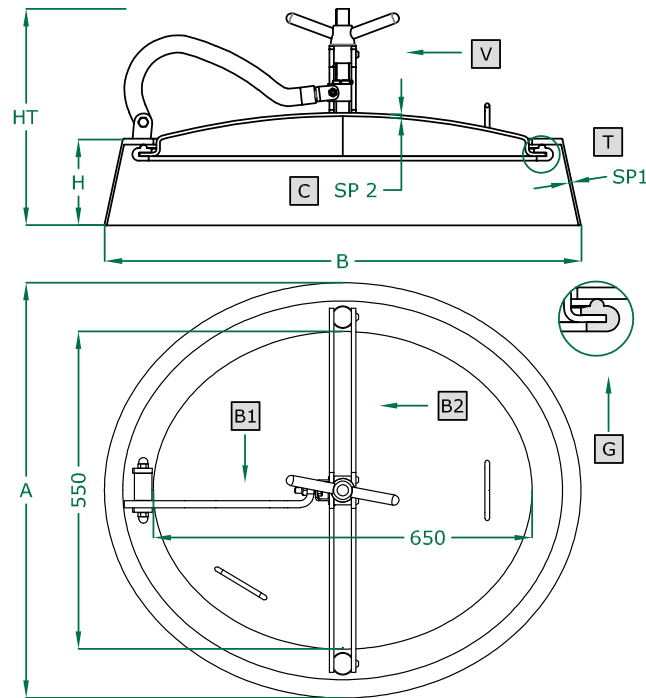
PORTELLA OVALE apertura interna

- OVAL Manwaydoor inwards opening
- Porte OVALE avec ouverture à l'intérieur
- Puerta OVAL de apertura interna
- OVALE Mannlochtür schwenkbar nach innen
- ОВАЛЬНАЯ КРЫШКА с внутренним открытием
- 内开椭圆形人孔门



322 ART
550 X 650 mm
 Rev 0

COPERCHIO COVER	C
TELAIO FRAME	T
BRACCIO1 ARM 1	B1
BRACCIO2 ARM 2	B2
VOLANTINO HANDWHEEL	V
GUARNIZIONE GASKET	G



	STANDARD	OPTIONAL			
H X SP1	150 X 4	200 X 4 - RAGGIATURA			
TELAIO	SAT	MPL			
GUARNIZIONE	EPDM	NEOPRENE	NBR	SILICONE	VITON
VOLANTINO	125 037 S. STEEL M22				

ART	A (STANDARD)	B (STANDARD)	SP2	HT (STANDARD)	BAR MAX: (STANDARD)	COVER type:	GASKET code:	KG (STANDARD)
322	710	815	3,0	380	3,0	CL	120 752	38,0
322R4	710	815	4,0	380	4,0	CL	120 752	40,0
322R5	710	815	5,0	380	5,0	CL	120 753	43,0