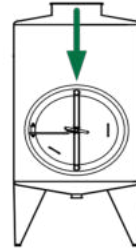


**PORTELLA OVALE apertura interna**

- OVVAL Manwaydoor inwards opening
- Porte OVALE avec ouverture à l'intérieur
- Puerta OVAL de apertura interna
- OVALE Mannlochtür schwenkbar nach innen
- ОВАЛЬНАЯ КРЫШКА с внутренним открытием
- 内开椭圆形人孔门

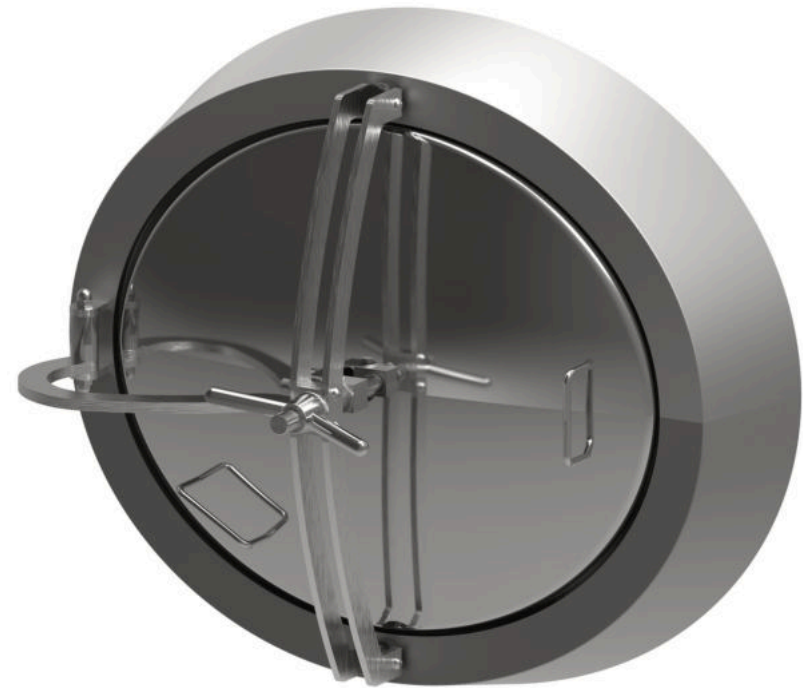
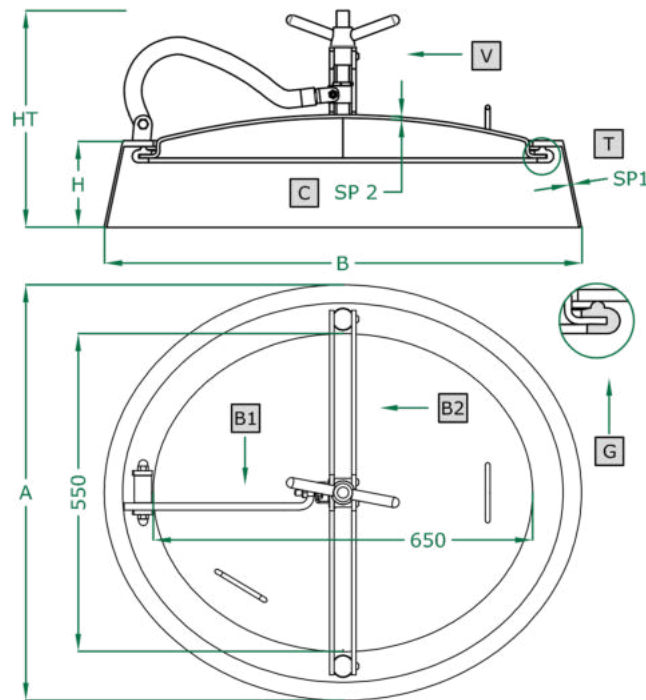


322 ART

550 X 650 mm

Rev 0

COPERCHIO COVER	<b>C</b>
TELAIO FRAME	<b>T</b>
BRACCIO1 ARM 1	<b>B1</b>
BRACCIO2 ARM 2	<b>B2</b>
VOLANTINO HANDWHEEL	<b>V</b>
GUARNIZIONE GASKET	<b>G</b>



	STANDARD	OPTIONAL			
H X SP1	150 X 4	200 X 4 - RAGGIATURA			
TELAIO	SAT	MPL			
GUARNIZIONE	EPDM	NEOPRENE	NBR	SILICONE	VITON
VOLANTINO	125 037 S. STEEL M22				

ART	A (STANDARD)	B (STANDARD)	SP2	HT (STANDARD)	BAR MAX: (STANDARD)	COVER type:	GASKET code:	KG (STANDARD)
322	710	815	4,0	380	4,0	CL	120 752	40,0
322R	710	815	6,0	380	6,0	CL	120 753	44,0