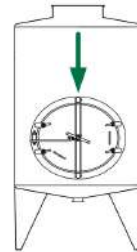


PORTELLA OVALE apertura interna

- OVAL Manwaydoor inwards opening
- Porte OVALE avec ouverture à l'intérieur
- Puerta OVAL de apertura interna
- OVALE Mannlochtür schwenkbar nach innen
- ОБАЛЬНАЯ КРЫШКА с внутренним открытием
- 内开椭圆形人孔门



D. = Rag. minima Ø 1400

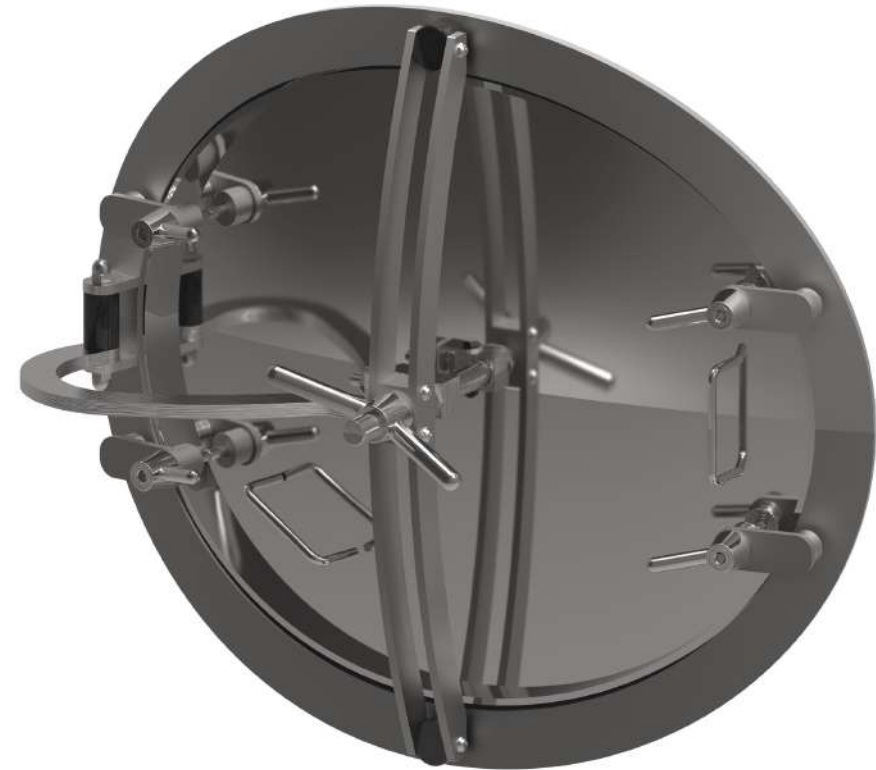
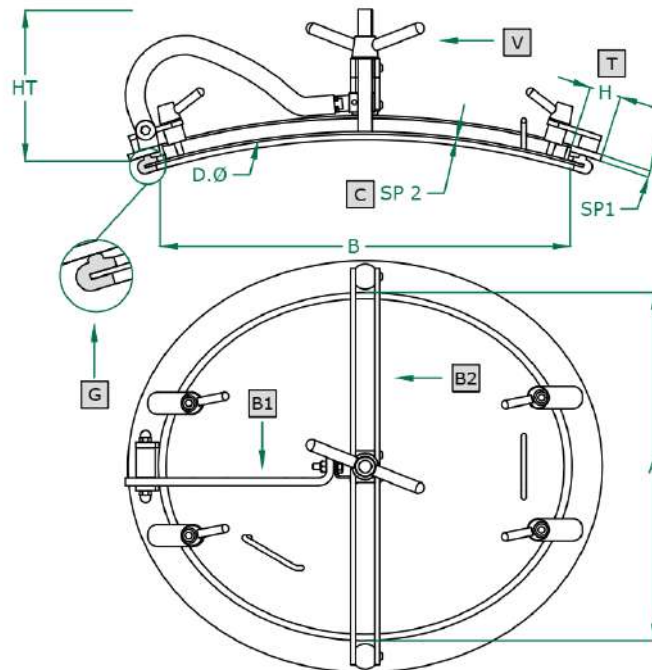


324IG ART

550 X 650 mm

Rev 0

COPERCHIO COVER	C
TELAIO FRAME	T
BRACCIO1 ARM 1	B1
BRACCIO2 ARM 2	B2
VOLANTINO HANDWHEEL	V
GUARNIZIONE GASKET	G



	STANDARD	OPTIONAL			
H X SP1	50 X 10	Ø ≥ D.1400			
TELAIO	SAT	MPL			
GUARNIZIONE	EPDM	NEOPRENE	NBR	SILICONE	VITON
VOLANTINO	125 037 S. STEEL M22				

ART	A	B	SP2	HT (STANDARD)	BAR MAX: (STANDARD)	COVER TYPE:	GASKET CODE:	KG (STANDARD)
324IG	550	650	5,0	195	3,5	CL	120 753	34,0